



W50810 Tilting TV Wall Mount

Article number (SKU)
Colour

8450810
Black

Key Benefits

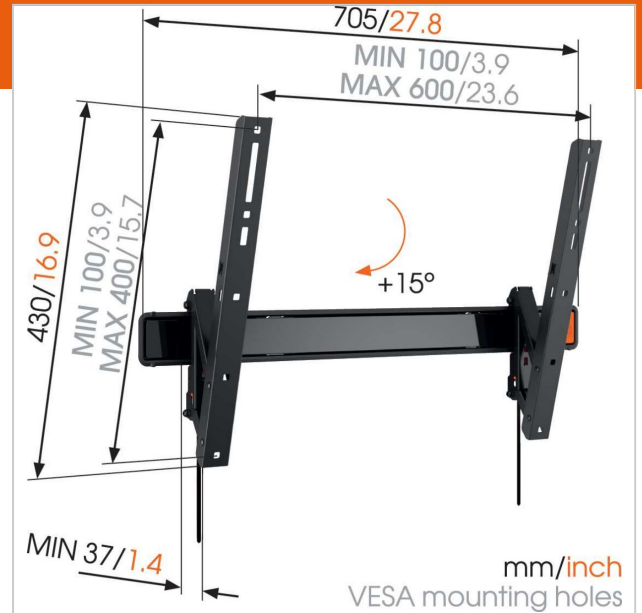
- Lock your TV securely in place
- Simply Smart Value: Great comfort for an affordable price
- Tilt (up to 15°) to avoid reflections

For large TVs up to 65 inch (165 cm)

The W50810 TV wall mount is suitable for 40 to 65 inch (101 to 165 cm) TVs. It provides safe and secure mounting for TVs up to 40 kg (88 lbs). Make room by mounting your TV high on the wall. Want to avoid having to squeeze past your TV? Mount it higher on the wall with the W50810 TV wall mount. The higher position also helps you reduce reflections and prevents children or pets from getting to it. A TV wall mount with tilt function makes for comfortable viewing, even if it is mounted high up.

The W-series: smart, secure and reliable

With 40 years of experience in outstanding Dutch design for the audiovisual market, Vogel's designers simply focused on quality for the modern brackets of the W-series. As a result, we feel back these reliable, smart wall mounts with a lifetime guarantee. Smart, secure, reliable. Save even more space with a full-motion wall mount. To save even more space, mount your TV in a corner. Our full-motion tv wall mounts fit into any corner of the room while still providing you with a great viewing angle.





W50810 Tilting TV Wall Mount

www.vogels.com

VOGEL'S HOLDING BV 2019 (c) All rights reserved.
Subject to printing errors, technical and price amendments.
Date: 2019-02-13

Specifications

Product type number	W50810
Article number (SKU)	8450810
Colour	Black
EAN single box	8712285330162
Product size	L
TÜV certified	Yes
Tilt	Tilt up to 15°
Guarantee	Lifetime
Min. screen size (inch)	40
Max. screen size (inch)	65
Max. weight load (kg)	40
Min. hole pattern	100mm x 100mm
Max. hole pattern	600mm x 400mm
Max. bolt size	M8
Max. height of interface (mm)	430
Max. width of interface (mm)	705
Min. distance to the wall (mm)	37
Product group	Tv mount tilt
Spirit level included	True
Universal or fixed hole pattern	Universal
Product line	W-series

