

## W53080 - Full-Motion TV Wall Mount (black)

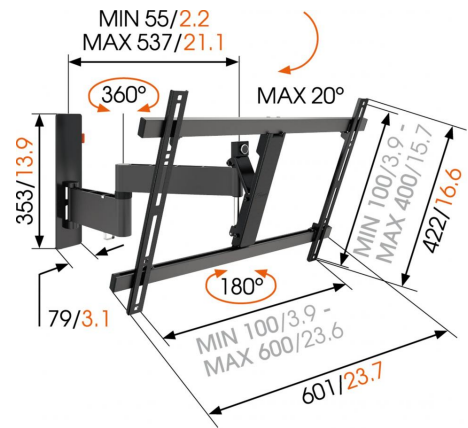
For large TVs up to 65 inch (165 cm)

The W53080 TV wall mount is suitable for 40 to 65 inch (101 to 165 cm) TVs. It provides safe and secure mounting for TVs up to 30 kg (66 lbs).

Watching TV from your favourite places

Do you find yourself wanting to watch TV from several places in your room? The W53080 full-motion mount from Vogel's helps you do that. Enjoy your favourite series from the couch at night, and then turn the TV for the perfect view of the morning news at the breakfast table.

<b>Turn</b>	180
<b>Tilt</b>	20
<b>Also available in the color:</b>	White
<b>Guarantee</b>	Life time
<b>Min. distance to the wall (mm)</b>	55
<b>Min. screen size (inch)</b>	40"
<b>Max. screen size (inch)</b>	65"
<b>Max. screen weight (kg)</b>	30
<b>Hole pattern (mm)</b>	Min. 100x100 / Max. 600x400



mm/inch  
VESA mounting holes

## W53080 - Full-Motion TV Wall Mount (black)

The W-series: smart, secure and reliable

There are so many ways that watching TV can make your life more interesting. Following along with a cooking show, or enjoying an episode of your go-to show while doing paperwork. The Vogel's W-series TV brackets help you do so, with a quality build and clean finish. Smart, secure and reliable.

A complete solution for your electronics

Store your entertainment equipment neatly under your TV with one of Vogel's TV mounting accessories. Game console, Blu-ray player and remote controls, all neatly put away.

## Features

- Great comfort and stylish design
- Smoothly turn your TV up to 180°
- Guide your cables
- Easily level your TV even after installation

## Logistic information

<b>EAN Code Product</b>	8712285326929
<b>Net weight including packaging (kg)</b>	5.4
<b>Single Box Width (mm)</b>	349
<b>Single Box Length (mm)</b>	617
<b>Single Box Height (mm)</b>	95

