



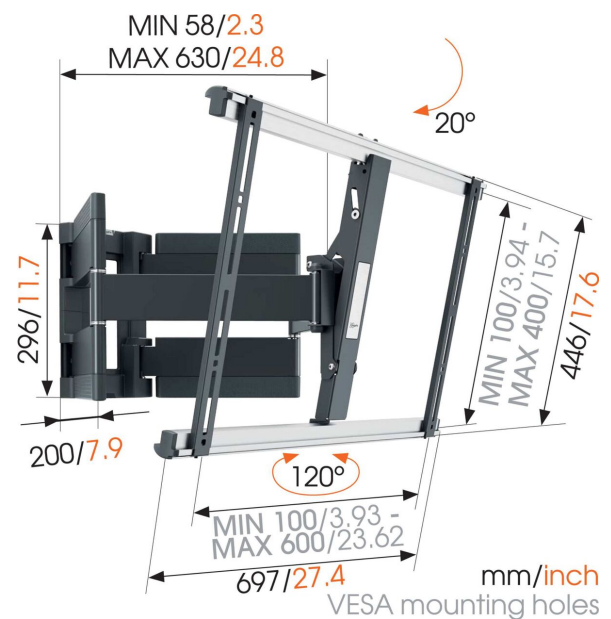
THIN 550 ExtraThin Full-Motion TV Wall Mount

Key Benefits

- The securest mount for 40 inch TVs, 80 inch TVs, all the way up to 100"
- 4 ultra-strong arms so even the heaviest TV will always hang straight - spirit level included!
- Easily level your TV even after installation & hide all unsightly cables
- Independently approved by the TUV testing agency to hold up to 3 times its maximum weight
- Backed by Vogel's Lifelong guarantee to protect your pride and joy

Put your TV in the safest hands

You've spent good money on a great TV. So when it comes to putting it pride of place, you don't want to risk mounting it with just any wall mount. For you, only the best will do. So for peace of mind that gravity won't get the best of your TV, you need the THIN 550.





THIN 550 ExtraThin Full-Motion TV Wall Mount



Specifications

Article number (SKU)	8395500
Colour	Black
EAN single box	8712285335082
Product size	XL
TÜV certified	Yes
Tilt	Tilt up to 20°
Turn	Forward and turning motion (up to 120°)
Guarantee	Lifetime
Min. screen size (inch)	40
Max. screen size (inch)	100
Max. weight load (kg)	70
Min. hole pattern	100mm x 100mm
Max. hole pattern	600mm x 400mm
Max. bolt size	M8
Max. height of interface (mm)	446
Max. width of interface (mm)	728
Cable management	Cable clip Cable management integrated in arm
Max. distance to the wall (mm)	630
Max. horizontal hole pattern (mm)	600
Max. vertical hole pattern (mm)	400
Min. distance to the wall (mm)	58
Number of pivot points	3
Spirit level included	Yes
Universal or fixed hole pattern	Universal

VOGEL'S HOLDING BV (c)

All rights reserved.
Subject to printing errors,
technical and price
amendments.

Date: 2022-02-14



Vogel's. For Sure.