

MA4010 – Tilting TV Wall Mount

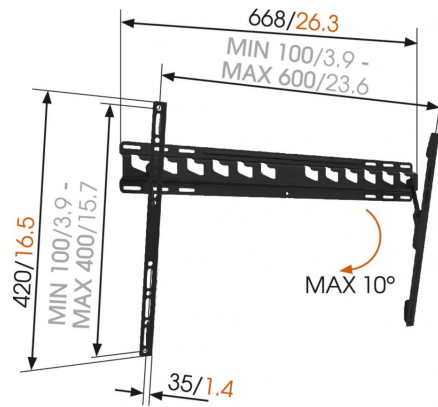
For TVs up to 65 inch (165 cm)

With an MA4010 wall bracket, you can protect your extra-large TVs from damage or theft. This solid and reliable wall bracket supports TVs ranging from 40 to 65 inch (102 to 165 cm) and weighing up to 60 kg.

Tilting wall brackets provide a comfortable viewing position

An M-series tilting wall mount allows you to mount your TV high up on the wall and out of the way, while still enjoying a comfortable viewing position. A tilting wall mount is also ideal to avoid reflections and glare.

Tilt	10
Guarantee	2 years
Min. screen size (inch)	40"
Max. screen size (inch)	65"
Max. screen weight (kg)	60
Hole pattern (mm)	Min. 100x100 / Max. 600x400



mm/inch
VESA mounting holes

MA4010 – Tilting TV Wall Mount

The M-series: solid and straightforward wall mounting solutions

Protect your TV by mounting it securely to the wall with a Vogel's M-series TV bracket. This full range of wall brackets features solid, reliable build quality and is protecting your TV from accidental damage. The Vogel's M-series: safety first at an affordable price.

Features

- Reliable quality for an affordable price
- Tilt (up to 10°) to avoid reflections

Logistic information

EAN Code Product	8712285331428
Single Box Width (mm)	94
Single Box Length (mm)	677
Single Box Height (mm)	32

