

SONY

VPL-HW40ES

Come home to better looking movies



Come home to better looking movies

The VPL-HW40ES Full HD 3D home cinema projector is a fantastic choice for movie-lovers who want an incredible cinematic experience at home, far beyond the reach of TV. It's packed with professional technology, including our advanced SXR panels and unique Reality Creation feature for an astonishingly sharp, crystal clear picture. With 1,700 lumens colour brightness you can enjoy your favourite films at their best, in 3D or 2D. Bright Cinema and Bright TV Modes also ensure optimum brightness and superb, rich colour quality.

Advanced SXR panels

Cinema-quality SXR panels minimise the space between pixels at high speed to produce super-sharp, high definition images at home.

1,700 lumens brightness and faithful colour

With an improved optical engine, the VPL-HW40ES offers high brightness of 1,700 lumens, producing clearer images and faithful colours, even in well-lit rooms.

Reality Creation

Developed for our 4K home cinema projector (VPL-VW1000ES), Reality Creation reproduces textures and colours that are lost when movies are packaged to disc. It gives you crisper, sharper Full HD pictures, much closer to the 1080p original.

Standard home theater projector

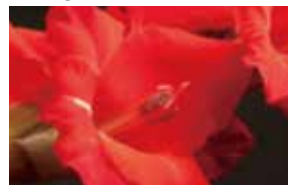


VPL-HW40ES



Simulated images

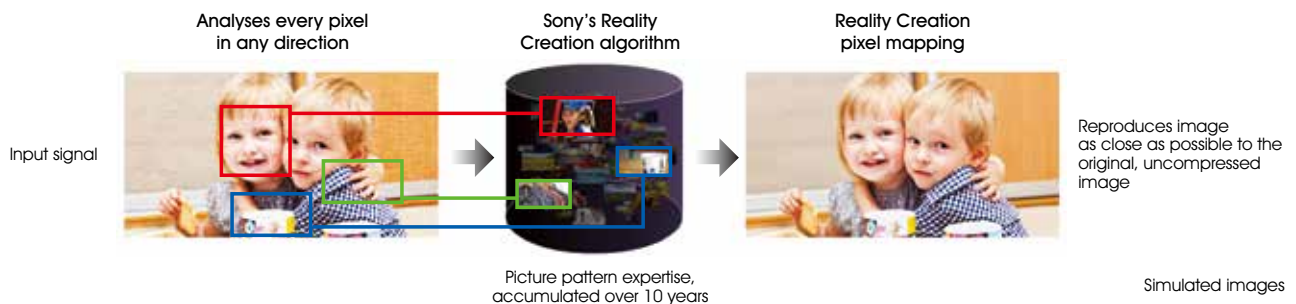
Input signal



View the best possible images



Reality Creation restores missing information



Bright Cinema and Bright TV modes

Conventional home cinema projectors sacrifice some colour accuracy by increasing greens to improve brightness. With Bright Cinema and Bright TV modes, the VPL-HW40ES retains true colour and contrast, even in a bright environment.

Powerful Calibration Features

There are eight pre-set modes to optimise various types of content. Choose from:

Cinema Film1 Highly dynamic and clear images, taking you close to the original master		Cinema Film2 Rich tone and colour, typical of a movie theatre		Reference Original image without any adjustment	
TV For watching TV programmes, sports, concerts, etc.		Photo For still images taken with a digital camera		Game Well-modulated colours and fast response	
Bright Cinema For movies in a bright environment, such as a living room		Bright TV For TV programmes in a bright environment			

Contrast Enhancer

Automatically adjusts contrast for optimum picture quality by analysing dark and light areas in every scene – without diminishing colour.

Motionflow

See every detail, even in fast-moving scenes and sports. Our unique Motionflow technology shows twice as many pictures per second by creating extra images between the original frames. The result is smoother, sharper motion with less blur.

Wide lens shift range for greater flexibility

With a lens shift range of +/-71% – a wider vertical range than our standard home cinema projectors – there are more installation options so it's easy to find a suitable position for the VPL-HW40ES, without reducing image quality.

Whisper-quiet fan - 21dB

Our advanced cooling system keeps fan noise to a mere 21dB, so you can enjoy your movie with minimal distractions.

Perfect panel alignment

Electronic panel alignment ensures precise colour and clarity. Any colour gaps are corrected by shifting the blue and red areas of each pixel into perfect alignment with green.

Built-in IR 3D transmitter

No set-up time or cables, just synchronise the VPL-HW40ES with your IR 3D glasses via the built-in transmitter to enjoy jaw-dropping 3D action.



Built-in 3D Sync Transmitter

2D and 3D Modes

The VPL-HW40ES automatically recognises 2D or 3D input and allows you to select various picture modes depending on your content. Choose from Dynamic, Standard, Game, Cinema and Photo.

Gamma adjustment

Fine tune image brightness according to the light in the room or the on-screen picture. There are 7 modes to select from.

Real Colour Processing (RCP Version 2)

Adjust the colour and hue using a target on the projected picture. RCP Version 2 also allows you to adjust the brightness at the same time.

Dynamic Lamp Control technology for 3D

When each of the shutters on your 3D glasses opens, the brightness in the image to that eye is boosted, maximising the picture's impact and the lamp's efficiency. It gives you the optimal 3D experience from the comfort of your own home.



PrimeSupport

- 3 year projector and 1 year lamp warranty/1000 hour PrimeSupport cover - from the product purchase date.
- Specialist telephone support – an exclusive multi-lingual telephone helpline staffed by technical experts with detailed understanding of projector products.
- Collect-and-deliver repair service – if your problem cannot be resolved via the helpline, we'll activate our no-hassle collect-and-deliver repair service. All financial costs are covered – parts, labour and logistics to and from our state-of-the-art European repair centres.

Specifications

		VPL-HW40ES/B & VPL-HW40ES/W
Display System		SXRD panel, projection system
Display device	Size of effective display area	0.61" x 3
	Number of pixels	6,220,800 (1920 x 1080 x 3) pixels
Projection lens	Focus	Manual
	Zoom	Manual (Approx. x1.6)
	Lens shift	Manual, Vertical: +/- 71%, Horizontal: +/- 25%
	Throw Ratio	1.36:1 – 2.16:1
Light source		High-pressure mercury lamp, 200 W type
Filter replacement cycle (Max.)		Same time as the lamp replacement is recommended
Screen size		40" to 300" (1,016 mm to 7,624 mm)
Light output		1700 lm
Colour light output		1700 lm
Displayable scanning frequency	Horizontal	19 kHz to 72 kHz
	Vertical	48 Hz to 92 Hz
Display resolution	Computer signal input	Maximum display resolution: 1920 x 1080 dots (HDMI Input only)
	Video signal input	480/60i, 576/50i, 480/60p, 576/50p, 720/60p, 720/50p, 1080/60i, 1080/50i The following items are available for HDMI input only. 1080/60p, 1080/50p, 1080/24p
3D capability		Yes
3D transmitter		Built-in IR 3D transmitter (Compatible with RF 3D external transmitter)
3D glasses		TDG-PJ1 (IR type : Optional) / TDG-BT500A (RF type : Optional)
Auto Calibration		No
Manual Calibration		RCP ver 2.0 (1 mode)
Advanced Iris		No
Picture modes		5 modes
Gamma modes		7 modes
Panel alignment		Yes (Shift/Zone)
OSD language		16-languages (English, Dutch, French, Italian, German, Spanish, Portuguese, Russian, Swedish, Norwegian, Japanese, Simplified Chinese, Traditional Chinese, Korean, Thai, Arabic)
INPUT OUTPUT (Computer / Video / Control)	HDMI (2 inputs)	HDMI 19-pin (x2)
	Y Pb/Cb Pr/Cr	Pin Jack (x3)
	INPUT A	RGB/Y Pb/Cb Pr/Cr input connector: Mini D-sub 15-pin
	REMOTE	RS-232C, D-sub 9-pin (female)
	IR IN	Mini Jack
	3D Sync	RJ-45
Operating temperature / Operating humidity		5°C to 35°C (41°F to 95°F) / 35% to 85% (no condensation)
Storage temperature / Storage humidity		-20°C to +60°C (-4°F to +140°F) / 10% to 90% (no condensation)
Power requirements		AC 100 V to 240 V, 3.0 A to 1.3 A, 50/60 Hz
Power consumption	AC 100 V to 120 V	Max. 300 W
	AC 220 V to 240 V	Max. 300 W
Standby mode power consumption	AC 100 V to 120 V	8 W / 0.5 W (Standby mode: Standard / Low)
	AC 220 V to 240 V	8 W / 0.5 W (Standby mode: Standard / Low)
Dimensions (W x H x D) (without protrusions)		407.4 x 179.2 x 463.9 mm 16 1/8 x 7 1/8 x 18 3/8 inches
Weight		Approx. 10 kg / 22 lb 1 oz
Supplied accessories		Remote Commander (1), Size AA (R6) Manganese Batteries (2), AC Power Cord (1), Lens Cap (1), Quick Reference Manual (1), Operating Instructions (CD-ROM) (1)

Optional Accessories



LMP-H202
Projector Lamp
(for replacement)



TDG-PJ1
IR 3D Glasses



TDG-BT500A
RF 3D Glasses



IFU-WH1
Wireless HDMI Unit

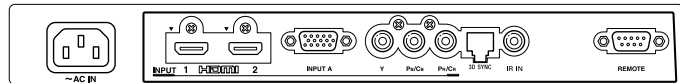


AD025-RF-X1
RF 3D External Transmitter



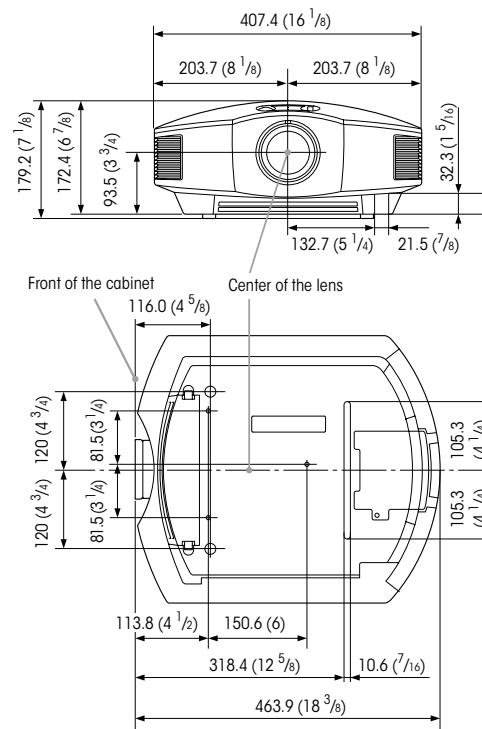
TMR-PJ2
IR 3D External Transmitter

Control Panel



Dimensions

Units: mm (inches)



Distributed by

© 2014 Sony Corporation. All rights reserved.
 Reproduction in whole or in part without written permission is prohibited.
 Features and specifications are subject to change without notice.
 The values for mass and dimension are approximate.
 "SONY", "SXRD", "Motionflow" and "24p True Cinema" are trademarks of Sony Corporation.
 The terms HDMI and HDMI High-Definition Multimedia Interface, and the HDMI Logo are trademarks or registered trademarks of HDMI Licensing LLC in the United States and other countries.
 All other trademarks are the property of their respective owners.