



## 2015 WhiteBoardScreen™ Series Product Brochure

The ultimate presentation tool for your meeting room or classroom. This unique projection screen serves both for projecting presentations with the added feature of dry-erase.



VersaWhite Screen Material shown here on WhiteBoardScreen Universal



# WhiteBoardScreen™ Series

The ultimate presentation tool for your meeting room or classroom. This unique projection screen serves both for projecting presentations with the added feature of dry-erase.

Scan for product



video



VersaWhite Screen Material shown here on WhiteBoardScreen Universal



## VersaWhite

- Matte White with a 1.1 gain and wide viewing angle
- Ideal for standard throw, ultra/short-throw projectors
- True color reproduction and contrast enhances overall projection image
- Available in diagonal sizes 58" & 77" (4:3), 87" (16:10), 94" (16:9), and 4'x10'
- GREENGUARD GOLD Certified

## StarBright 4

- Ambient Light Rejecting with 4.0 gain
- High reflectivity is ideal for presentations with high levels of ambient light with in-line seating
- Standard throw projectors compatible only
- Contrast enhancements improve picture black levels for greater resolution and balanced color temperature
- Available diagonal sizes in 60" (4:3) & 80" (4:3) and 95" (16:9)

## Design and Installation

- Cutting-edge design combines projection screen and dry erase board into one space-saving economical product
- Coated with a transparent dry-erase layer for training presentations
- No "glare" effect on projection surface as typically experienced from high gloss finish on standard whiteboards
- Includes dry-erase markers and erasers
- Standard wall mount brackets allow installation flexibility by sliding horizontally along the back rail of the frame
- Optional mobile stands (VersaWhite models only)

Actual Projected Image Comparison



Regular Whiteboard

VersaWhite Screen Material

## WhiteBoardScreen Series

Model	Screen Diag. & Aspect Ratio	View Height (in)	View Width (in)	View Height (cm)	View Width (cm)	N.W. (lbs.)	G.W. (lbs.)	N.W. (Kgs)	G.W. (Kgs)	Packaging Dimensions (LxHxW)	Gain	Screen Material	Dry Erase Pen / Eraser Included	Type
WB58VW	58"(4:3)	34.3	45.7	87.1	116.0	23.2	30.4	10.5	13.8	52"x40.9"x3.1"	1.1	VersaWhite	Included	Hard Board
WB77VW	77"(4:3)	45.7	60.9	116.0	154.7	44.8	51.2	20.3	23.3	67.7"x52.2"x3.1"	1.1	VersaWhite	Included	Hard Board
WB87XW	87"(16:10)	45.7	73.1	116.0	185.6	27.0	51.9	12.3	23.6	79.5"x51.9"x5.5"	1.1	VersaWhite	Included	Hard Board
WB94HW	94"(16:9)	45.7	81.2	116.0	206.2	39.0	75.4	17.7	32.1	87.8"x52.4"x5.9"	1.1	VersaWhite	Included	Hard Board
WB4x10HW	4'x10'	45.9	118.2	116.6	300.2	67.3	112.6	30.6	51.2	124.8"x 52.4"x3.3"	1.1	VersaWhite	Included	Hard Board

## WhiteBoardScreen Series Dimensions Table

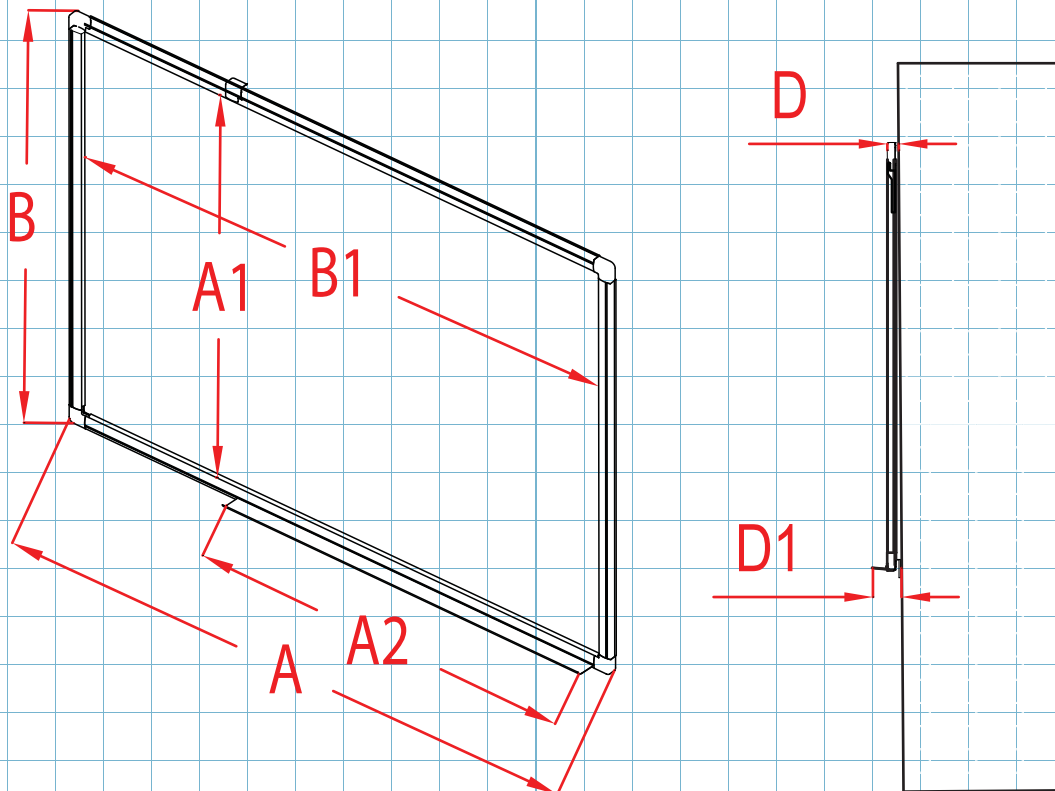
Model Number	Screen Diagonal & Aspect Ratio	Overall Width (A)	View Width (A1)	Tray (A2)	Overall Height (B)	View Height (B1)	D	D1
WB58VW	58"(4:3)	1201	1176	1100	871	897	20	n/a
WB77VW	77"(4:3)	1590	1565	1450	1161	1186	20	n/a
WB87XW	87"(16:10)	1900	1875	1801	1161	1186	20	n/a
WB94HW	94"(16:9)	2106	2080	1999	1161	1186	20	n/a
WB4x10HW	4'x10'	3056	3003	2900	1218	1165	20	69

Unit: mm

Model Number	Screen Diagonal & Aspect Ratio	Overall Width (A)	View Width (A1)	Tray (A2)	Overall Height (B)	View Height (B1)	D	D1
WB58VW	58"(4:3)	47.3	46.3	43.3	34.3	35.3	0.8	n/a
WB77VW	77"(4:3)	62.6	61.6	57.1	45.7	46.7	0.8	n/a
WB87XW	87"(16:10)	74.8	73.8	70.9	45.7	46.7	0.8	n/a
WB94HW	94"(16:9)	82.9	81.9	78.7	45.7	46.7	0.8	n/a
WB4x10HW	4'x10'	120.3	118.2	114.2	48	45.9	0.8	2.7

Unit: inch

**Note: Data Error ±1".** The listed measurements are for general reference only. Please contact Elite Screens to verify product design and dimensions before attempting to integrate its products with any structural or furniture modification. Although a manufacturer may offer product advice, it may be taken or disregarded at the integrator's discretion. Elite Screens will not be held responsible or be otherwise liable for faulty installations.



### WhiteBoardScreen (with StarBright 4) Series

Model	Screen Diag. & Aspect Ratio	View Height (in)	View Width (in)	View Height (cm)	View Width (cm)	N.W. (lbs.)	G.W. (lbs.)	N.W. (Kgs)	G.W. (Kgs)	Packaging Dimensions (LxHxW)	Gain	Screen Material	Dry Erase Pen / Eraser Included	Type
WB60V	60" (4:3)	35.0	46.9	88.9	119.1	34.4	39.7	15.6	18.0	52.4"x40.9"x3.2"	4.0	StarBright 4	Yes	Hard Board
WB80V	80" (4:3)	46.9	62.6	119.1	159.0	57.3	72.8	26.0	33.0	68.1"x52.6"x3.2"	4.0	StarBright 4	Yes	Hard Board
WB96H	96" (16:9)	46.9	82.3	119.1	209.0	88.2	99.2	40.0	45.0	87.8"x52.4"x3.2"	4.0	StarBright 4	Yes	Hard Board

### WhiteBoardScreen (with StarBright4) Series Dimensions Table

Model	Screen Diag. & Aspect Ratio	Overall Width (A)	View Width (A1)	Overall Height (B)	View Height (B1)	Tray Length (A2)	B2	C1	C2
WB60V	60"(4:3)	1235	1190	935	890	1000	835	114	160
WB80V	80"(4:3)	1635	1590	1235	1190	1400	1135	145	228
WB96H	96"(16:9)	2135	2090	1235	1190	1900	1135	125	187

Unit: mm

Model	Screen Diag. & Aspect Ratio	Overall Width (A)	View Width (A1)	Overall Height (B)	View Height (B1)	Tray Length (A2)	B2	C1	C2
WB60V	60"(4:3)	48.6	46.9	36.8	35.0	39.4	32.9	4.5	6.3
WB80V	80"(4:3)	64.4	62.6	48.6	46.9	55.1	44.7	5.7	9.0
WB96H	96"(16:9)	84.1	82.3	48.6	46.9	74.8	44.7	4.9	7.4

Unit: inch

**Note: Data Error ±1".** The listed measurements are for general reference only. Please contact Elite Screens to verify product design and dimensions before attempting to integrate its products with any structural or furniture modification. Although a manufacturer may offer product advice, it may be taken or disregarded at the integrator's discretion. Elite Screens will not be held responsible or be otherwise liable for faulty installations.

