

### Smart ideas for the bigger picture.

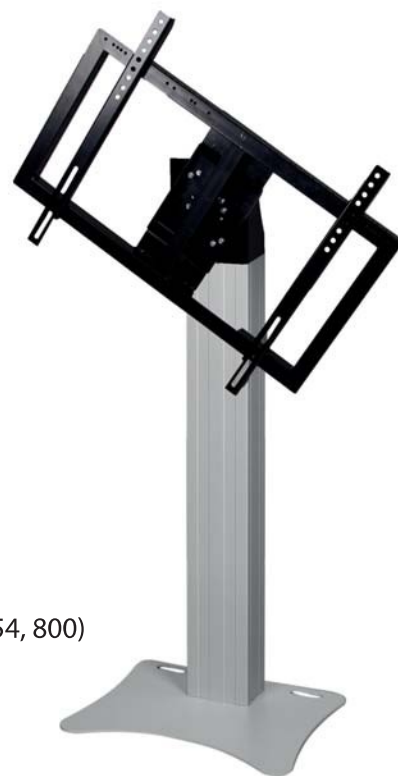
celexon - your specialist  
for home cinema and AV solutions

## PRODUCT DESCRIPTION

The celexon Fixed 42100P-LP is a free standing, fixed height stand for 42" – 100" displays. It provides a load capacity of up to 120kg. The clever design of this stand allows the display to be rotated to both a landscape and a portrait format. This high quality aluminium stand has a fixed height of 170cm and can be placed on any flat surface in the room or, if required, it can be fixed to the floor.

## KEY FEATURES

- Designed to hold a display at a fixed height
- Display can be rotated 90° for landscape and portrait formats
- Supports the following VESA standards:
  - Horizontal up to 800mm (200, 280, 300, 400, 440, 580, 600, 684, 710, 730, 754, 800)
  - Vertical up to 600mm
- Colour: RAL906 – white aluminium
- Suitable for 42" – 100" displays
- Max load: 120kg
- Floor to top of display stand: 2345mm



## OPTIONAL ACCESSORIES



Laprack



Camrack



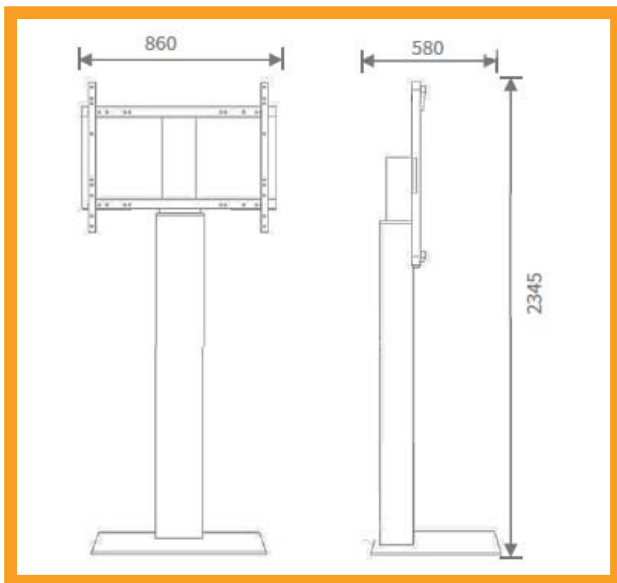
Frontplate

### TECHNICAL DATA

| Product                 | Outer measurements (mm) H x W x D | Net weight (kg) | Supported VESA standards  | Floor to top of display trolley (portrait mode) | EAN           |
|-------------------------|-----------------------------------|-----------------|---|---|---------------|
| celexon FIXED-42100P-LP | 1495 x 860 x 580mm                | 60              | Horizontal up to 800mm (200, 280, 300, 400, 440, 580, 600, 684, 710, 730, 754, 800)<br>Vertical up to 600mm | 2345mm  | 4260094736674 |

The dimensions provided are mean values of the production units. Very slight deviations may be possible. Due to continuous technical improvements, we reserve the right to change design and specifications without prior notice.

### TECHNICAL DRAWING



Received from your celexon reseller:

