

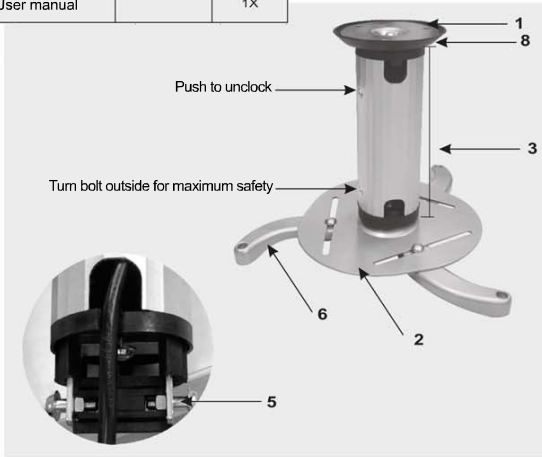
Parts list

Parts	Picture	Standard package
1. Ceiling plate		1X
2. Projector plate		1X
3. Extension tube		1X15cm
4. Extension tube		1X8cm
5. Projector arm		3X
6. Set of screws		1X
7. Ceiling trim		1X
8. User manual		1X

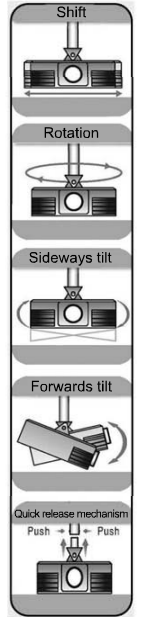
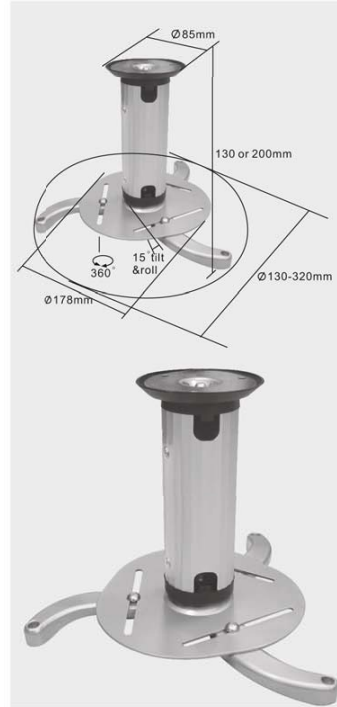
celexon™

User manual

Projector ceiling mount PS815



celexon™
www.celexon.com



This mount should only be mounted to a solid surface such as concrete, stone or solid wood

Assembly



1

Line up the arms of the mount onto the projector mounting points and attach (loosely) using the screws supplied (M3, M4 or M5).



2



3

Take the plate and line up the slots with the opposite ends of the mounting arms.

Use the screws provided and attach the plate to the arms.



4

Tighten all the screws.



5

Attach the ceiling plate to a secure mounting point on the ceiling using the screws provided.



6

Attach the ceiling trim (black rubber) to the ceiling plate covering the fixings.

Assembly



7

Join the extension tube to the ceiling by pressing the two spring loaded bolts on the ceiling plate in and by sliding the tube over, ensuring that the bolts click out of the holes accordingly.



8

For added security, turn the spring loaded bolts anti clockwise.



9

Join the projector plate to the extension tube by pressing the two spring loaded bolts on the ceiling plate in and by sliding the tube over, ensuring that the bolts click out of the holes accordingly.



10

For added security, turn the spring loaded bolts anticlockwise.



11

If adjustment is required, the projector plate can be tilted.



12

For cable management, use the channel inside the tube.