

Smart ideas for the bigger picture.

celexon - your specialist
for home cinema and AV solutions

PRODUCT DESCRIPTION

The celexon Adjust-42100W is a motorised, height adjustable stand for 42"- 100" displays. It provides a load capacity of up to 120kg and is ideal for use with POI / POS displays. This high quality aluminium stand can be height adjusted very easily using the remote control provided. The stand is designed to be fixed to the wall using the brackets provided, ensuring it remains stationary throughout the entirety of each use.

KEY FEATURES

- Flexible electrical height adjustment via remote control
- Supports the following VESA standards:
Horizontal up to 800mm (200, 280, 300, 400, 440, 580, 600, 684, 710, 730, 754, 800)
Vertical up to 600mm
- 500mm height adjustment
- Wall brackets (7cm)
- Floor to top of display stand: 1300-1800mm
- Suitable for 42" – 100" displays
- Max load: 120kg



OPTIONAL ACCESSORIES



Laprack



Camrack



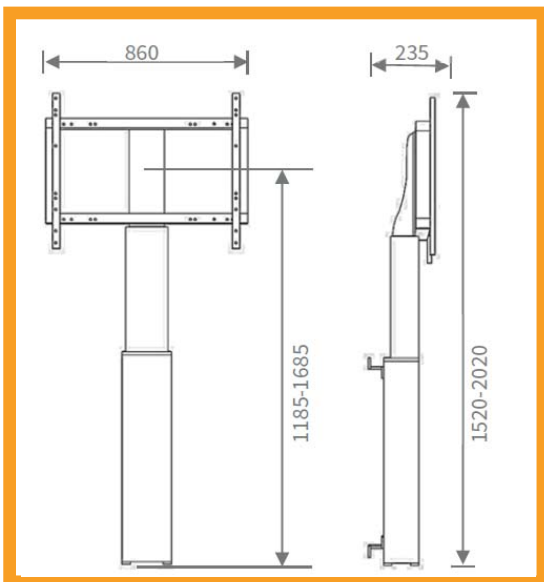
Frontplate

TECHNICAL DATA

Product	Outer measurements (mm) H x W x D	Net weight (kg)	Supported VESA standards	Height adjustment (mm)	EAN
celexon ADJUST-42100W	2020 x 860 x 235mm	40	Horizontal up to 800mm (200, 280, 300, 400, 440, 580, 600, 684, 710, 730, 754, 800) Vertical up to 600mm	500	4260094736605

The dimensions provided are mean values of the production units. Very slight deviations may be possible. Due to continuous technical improvements, we reserve the right to change design and specifications without prior notice.

TECHNICAL DRAWING



Received from your celexon reseller:

