

### Smart ideas for the bigger picture.

celexon - your specialist  
for home cinema and AV solutions

#### PRODUCT INFORMATION

The celexon Professional height adjustable display Trolley Adjust-3270MP Portrait with a load capacity of up to 70kg is perfect for use in different rooms and is suitable for displays from all major manufacturers. The height can be adjusted from 116 - 180cm. The trolley is made of painted steel with 4 heavy duty castors providing smooth movement between locations. The glass plate provides a sturdy base and two of the castors are lockable to protect against unwanted movement. You also have the choice to replace the castors with the provided feet if you do not require the stand to move around.

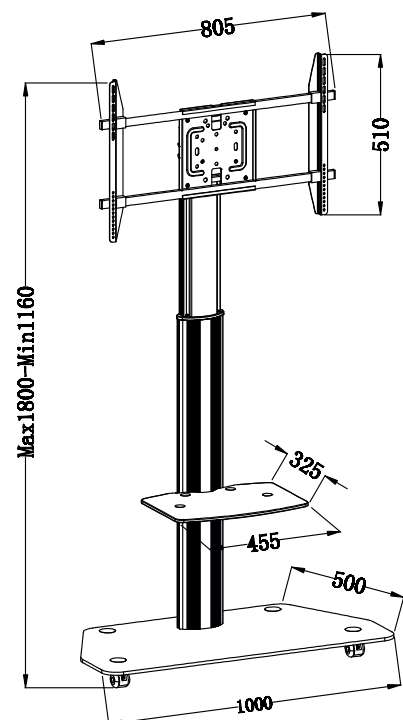
These trolleys provide practical features such as the glass shelf and integrated cable management, along with a portrait function allowing you to change the orientation of your display quickly and easily.

#### KEY INFORMATION

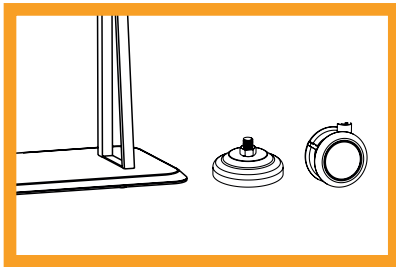
- Trolley with a max. Height of 180cm
- Supports the following Vesa standards:
  - Horizontal up to 600mm (200, 280, 300, 400, 440, 580, 600)
  - Vertical up to 400mm (stepless)
- Mobile rolling frame painted in matt black
- Tilt: - / + 15°
- Portrait: 180°
- Suitable for all 32" - 70" displays
- Maximum load > 70 kg
- Total system weight approx. 23 kg



celexon Professional Adjust-3270MP Landscape



### DETAILS



Optional castor or feet

### PRODUCT DATA

Name	Dimensions (mm) H x W x D	Net-weight (kg)	Supported Max. VESA standard	Height adjustment (cm)	EAN
celexon Professional Adjust-3270MP Landscape	1000 x 500 x 130	23	600 x 400	116 - 180	4260094740459

The stated values represent the mean values of a unit produced in series production so minor deviations are possible. Due to continuous technical improvements, we reserve the right to change design and specifications without prior notice.

Received from your celexon reseller:

