



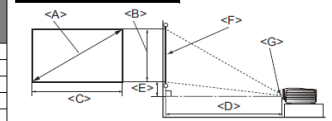
Model Name SU931 Digital Projector

Distance Chart

■ The screen aspect ratio is 16:10 and the projected picture is 16:10

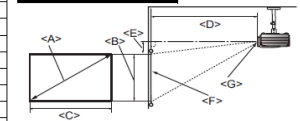
Screen dimensions			Projection distance <D> [cm]			Lowest/ Highest lens position <E> [cm]
Diagonal <A> [inch (mm)]	Height [cm]	Width <C> [cm]	Min distance	Average	Max distance	
60 (1524)	81	129	139	180	221	4.0
70 (1778)	94	151	162	210	258	4.7
80 (2032)	108	172	185	240	295	5.4
90 (2286)	121	194	208	270	332	6.1
100 (2540)	135	215	231	300	369	6.7
110 (2794)	148	237	254	330	406	7.4
120 (3048)	161	259	277	360	442	8.1
130 (3302)	175	280	300	390	479	8.8
140 (3556)	189	302	323	420	516	9.4
150 (3810)	202	323	346	450	553	10.1
160 (4064)	215	345	369	479	590	10.8
170 (4318)	229	366	392	509	627	11.4
180 (4572)	242	388	415	539	663	12.1
190 (4826)	256	409	438	569	700	12.8
200 (5080)	269	431	461	599	737	13.5
240 (6096)	323	517	554	719	884	16.2

Floor Installation



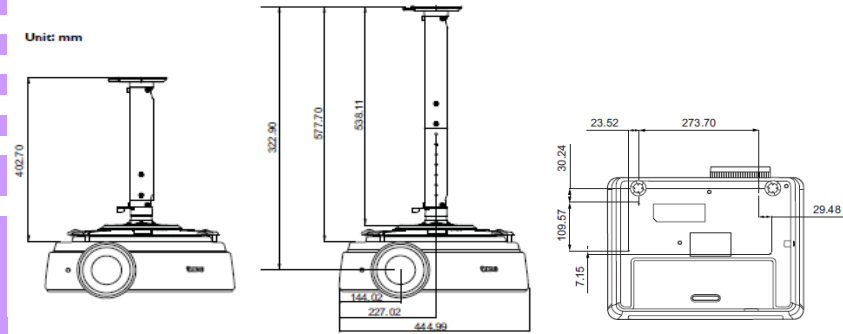
<F>: Screen <G>: Center of lens

Ceiling Installation

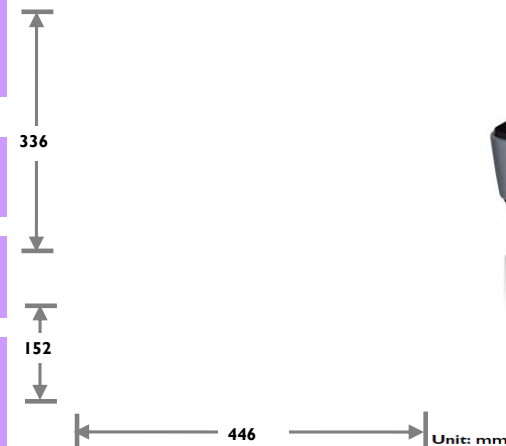


<F>: Screen <G>: Center of lens

Wall mount/Ceiling mount Chart



Dimension



Unique selling point

- * High resolution WUXGA 1920 x 1200
- * High brightness 6000AL
- * Big Zoom 1.6X
- * Easy installation and control
- * Vertical Lens Shift

Projection System	DLP
Native Resolution	WUXGA (1920 x 1200)
Brightness	6,000AL
Contrast Ratio	3,000:1
Display Color	1.07 Billion Colors
Lens	F=2.45~3.07, f=15.78 ~ 25.12
Aspect Ratio	Native 16:10 (5 aspect ratio selectable)
Throw Ratio	1.07~1.71
Clear Image Size	Tele: 60"~150"; Wide: 60"~240"
Zoom Ratio	1.6X
Lamp Type	465W
Lamp(Normal/Economic/SmartEco Mode)*	2000/2500 hours
Keystone Adjustment	2D, Vertical & Horizontal ± 30 degrees
Projection Offset	102.5% ±2.5%
Lens Shift	Vertical: ±2.5%
Resolution Support	VGA(640 x 480) to WUXGA_RB(1920 x 1200) *RB=Reduced blanking
Horizontal Frequency	15K~102KHz
Vertical Scan Rate	23~120Hz
Compatibility	HDTV Compatibility 480i, 480p, 576i, 576p, 720p, 1080i, 1080p Video Compatibility NTSC, PAL, SECAM
Interface	Computer in (D-sub 15pin) x 1 (Share with component) Monitor out (D-sub 15pin) x 1 Composite Video in (RCA) x 1 S-Video in (Mini DIN 4pin) x 1 HDMI x 2 Audio in (Mini Jack) x 1 Audio L/R in (RCA) x 1 Audio out (Mini Jack) x 1 Microphone in (Mini Jack) x 1 Speaker 10W x 2 USB (Type A) x 1 (1.5A power supply) USB (Type mini B) x 1 (Download & page/down) LAN (RJ45) x 1 (LAN control) RS232 (DB-9pin) x 1 DC 12V Trigger (3.5mm Jack) x 1 IR Receiver x 2

Dimensions	Dimensions(W x H x D) 446 x 152 x 336 mm
	Weight 6.7KG

Power	Power Supply AC100 to 240 V, 50 to 60 Hz
	Power Consumption Typical 620W, Network standby <6W, Standby power <0.5W
	Power Management Function Automatic power off after 20 minutes without a display source.

Audible Noise	39/36 dBA (Normal/Economic mode)
----------------------	----------------------------------

On-Screen Display Languages	Arabic/Bulgarian/ Croatian/ Czech/ Danish/ Dutch/ English/ Finnish/ French/ German/ Greek/ Hindi/ Hungarian/ Italian/ Indonesian/Japanese/ Korean/ Norwegian/ Polish/ Portuguese/ Romanian/ Russian/ Simplified Chinese/Spanish/ Swedish/ Turkish/ Thai/ Traditional Chinese (28 Languages)
------------------------------------	---

Picture Modes	Bright/Presentation/sRGB/Cinema(3D)/User 1/User 2
----------------------	---

Accessories	Standard Remote Control w/ Battery Power Cord (by region) User Manual CD Quick Start Guide Warranty Card (by region) VGA(D-sub 15pin) Cable	Optional Spare Lamp Kit P/N: 5JJEH05.001 Ceiling Mount P/N: 5JJAM10.001 3D Glasses P/N: 5JJ9H25.001
--------------------	--	---

*Lamp life results will vary depending on environmental conditions and usage. Actual product's features and specifications are subject to change without notice.