

TK800M

BenQ DLP Projector



Features

- True 4K UHD (3840 x 2160) 8.3 Million Pixels Resolution
- Hyper-Realistic Video Quality with Projector-Optimized HDR10 / HLG
- 3000 ANSI Lumens High Brightness for Bright Rooms or Outside
- 96% Rec.709 Coverage
- Football Mode for Immersive Audiovisual Sports Experience
- Short Distance Projection: 100 inches at 3.32 meters
- Auto Vertical Keystone Correction



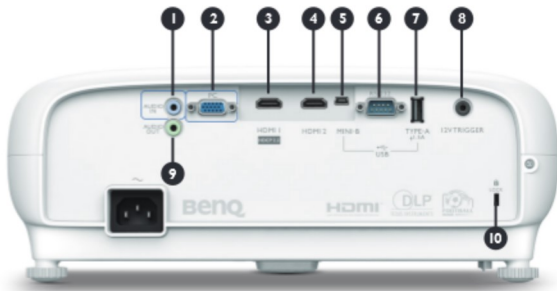
Product Specifications

Projection System	DLP														
DMD type	0.47"														
Native Resolution	3840 x 2160 pixels (True 4K, 8.3M pixels)														
Brightness	3,000 ANSI Lumens														
Contrast Ratio *	10,000 : 1														
Display Color	1.07 Billion Colors														
Aspect Ratio	Native 16 : 9 (5 aspect ratios selectable)														
Light Source	240W Lamp														
Light Source life ** (Normal / Eco / SmartEco / LampSave)	4,000 / 10,000 / 8,000 / 15,000 hours														
Throw Ratio	1.50 - 1.65 (100" @ 3.32 m)														
Zoom Ratio	1.1x														
Keystone Correction	1D, Vertical ± 40 degrees														
Projection Offset	110%														
Projection Size (Clear Focus / Maximum)	60" ~ 200" / 300"														
Built-in Speaker	5W x 1														
Security	Security Bar; Kensington Lock														
Features	4K UHD, HDR10, Football Mode, AutoKeystone, Short Throw Lens (100" @ 3.32m)														
Resolution Support	VGA (640 x 480) to 4K UHD (3840 x 2160)														
Horizontal Frequency	15K ~ 135KHz														
Vertical Scan Rate	23-120Hz														
HDTV Compatibility	480i, 480p, 576i, 567p, 720p, 1080i, 1080p, 2160p														
Power Consumption (Max / Normal / Eco)	385W / 330W / 250W														
Standby Power Consumption	0.5W Max. at 100 ~ 240VAC														
Power Supply	VAC 100 ~ 240 (50/60Hz)														
Product Dimensions (W x H x D)	353 mm x 135 mm x 272 mm														
Product Weight	4.2 kg														
Noise Level (Normal / Eco)	33 / 29 dBA														
Operating Temperature	0~40 degrees (Celsius)														
Accessories	<table border="0"> <thead> <tr> <th>Standard</th> <th>Optional</th> </tr> </thead> <tbody> <tr> <td>Power Cord</td> <td>Spare Lamp Kit</td> </tr> <tr> <td>Remote Control (RCV015)</td> <td>Ceiling Mount</td> </tr> <tr> <td>AAA Battery x 2</td> <td>Wireless FHD Kit</td> </tr> <tr> <td>User Manual CD</td> <td>QCast Mirror</td> </tr> <tr> <td>Quick Start Guide</td> <td>DLP 3D Glasses (GDG5)</td> </tr> <tr> <td>Warranty Card</td> <td>Carry Bag (5JJ4N09.00)</td> </tr> </tbody> </table>	Standard	Optional	Power Cord	Spare Lamp Kit	Remote Control (RCV015)	Ceiling Mount	AAA Battery x 2	Wireless FHD Kit	User Manual CD	QCast Mirror	Quick Start Guide	DLP 3D Glasses (GDG5)	Warranty Card	Carry Bag (5JJ4N09.00)
Standard	Optional														
Power Cord	Spare Lamp Kit														
Remote Control (RCV015)	Ceiling Mount														
AAA Battery x 2	Wireless FHD Kit														
User Manual CD	QCast Mirror														
Quick Start Guide	DLP 3D Glasses (GDG5)														
Warranty Card	Carry Bag (5JJ4N09.00)														
On Screen Display Language	28 Languages														

* The Contrast is measured by Full On Full Off standard.

** Lamp life results will vary depending on environmental conditions and usage.

Input and Output Terminals



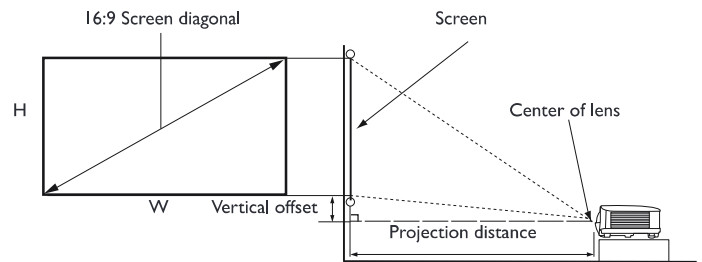
- ❶ Audio Input (mini jack)
- ❷ PC Input (D-sub 15pin, Female)
- ❸ HDMI-1 (HDCP2.2)
- ❹ HDMI-2 (HDCP1.4)
- ❺ USB Type mini B (Service)
- ❻ RS232 Input (D-sub 9pin, male)
- ❼ USB Type A (1.5A power)
- ❽ DC 12V Trigger (3.5mm Jack)
- ❾ Audio Output (mini jack)
- ❿ Kensington anti-theft lock slot
- ⓫ IR Receiver (Front & Top)

Dimensions



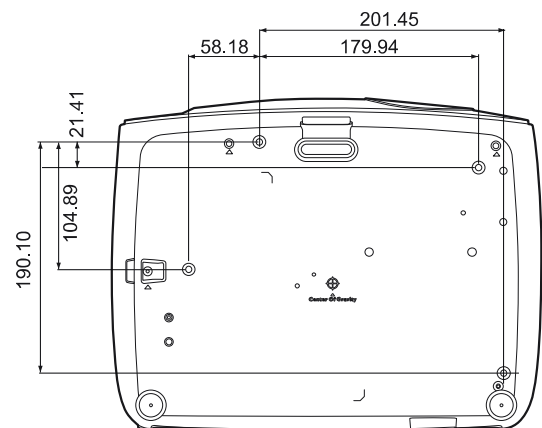
Distance Chart

Screen size			Distance from screen (mm)				Vertical offset (mm)
Diagonal		H	W	Min length (max. zoom)	Average	Max length (min. zoom)	
inch	mm	(mm)	(mm)				
30	762	374	664	996	1046	1096	37
40	1016	498	886	1328	1395	1461	50
50	1270	623	1107	1660	1743	1826	62
60	1524	747	1328	1992	2092	2192	75
70	1778	872	1550	2324	2441	2557	87
80	2032	996	1771	2657	2789	2922	100
90	2286	1121	1992	2989	3138	3287	112
100	2540	1245	2214	3321	3487	3653	125
110	2794	1370	2435	3653	3835	4018	137
120	3048	1494	2657	3985	4184	4383	149
130	3302	1619	2878	4317	4533	4749	162
140	3556	1743	3099	4649	4881	5114	174
150	3810	1868	3321	4981	5230	5479	187
160	4064	1992	3542	5313	5579	5844	199
170	4318	2117	3763	5645	5927	6210	212
180	4572	2241	3985	5977	6276	6575	224
190	4826	2366	4206	6309	6625	6940	237
200	5080	2491	4428	6641	6973	7306	249
210	5334	2615	4649	6973	7322	7671	262
220	5588	2740	4870	7306	7671	8036	274
230	5842	2864	5092	7638	8019	8401	286
240	6096	2989	5313	7970	8368	8767	299
250	6350	3113	5535	8302	8717	9132	311
260	6604	3238	5756	8634	9066	9497	324
270	6858	3362	5977	8966	9414	9862	336
280	7112	3487	6199	9298	9763	10228	349
290	7366	3611	6420	9630	10112	10593	361
300	7620	3736	6641	9962	10460	10958	374



Ceiling Mount Chart

Ceiling mount screw: M4 (Max L = 25 mm; Min L = 20 mm)
Unit: mm



BenQ Europe B.V.

Meerenakkenweg 1-17
5652 AR Eindhoven
The Netherlands
Tel: +31 88 8889200
Fax: +31 88 8889299

BenQ.eu

© 2019 BenQ Corp. Specifications may vary by region, please visit your local stores for details.
Actual product's features and specifications are subject to change without notice.
This material may include corporate names and trademarks of third parties which are the properties of the third parties respectively.

