



Model Name MX505 Digital Projector

Distance Chart

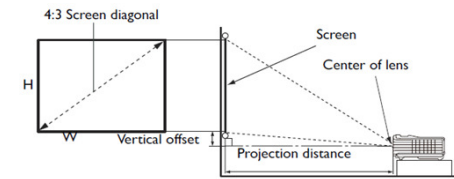
Unique selling point

- * SmartEco Power Saving technology
- * Up to 10000 hours Long lamp life
- * <0.5W standby mode
- * New 3D format for entertainment

Trade Mark



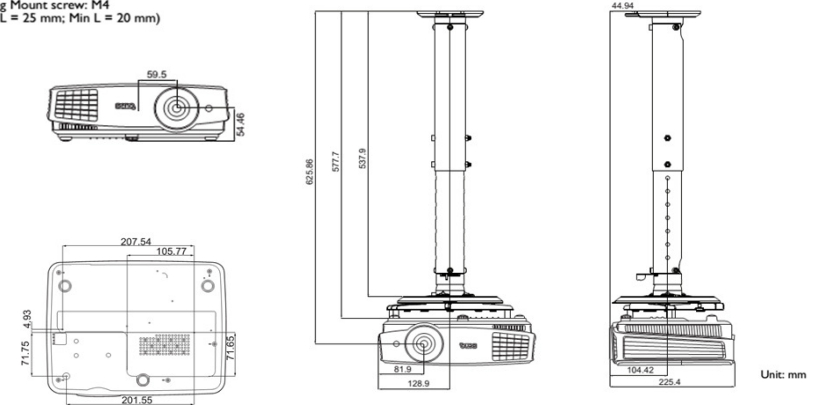
Screen size		Distance from screen (mm)					Vertical offset (mm)
Diagonal	W (mm)	H (mm)	Min length (max. zoom)	Average	Max length (min. zoom)		
30	762	610	457	1134	1191	1247	46
40	1016	813	610	1512	1587	1663	61
50	1270	1016	762	1890	1984	2079	76
60	1524	1219	914	2268	2381	2494	91
80	2032	1626	1219	3024	3175	3326	122
100	2540	2032	1524	3780	3968	4157	152
120	3048	2438	1829	4535	4762	4989	183
150	3810	3048	2286	5669	5953	6236	229
200	5080	4064	3048	7559	7937	8315	305
220	5588	4470	3353	8315	8731	9146	335
250	6350	5080	3810	9449	9921	10394	381
300	7620	6096	4572	11339	11905	12472	457



Projection System	DLP
Native Resolution	XGA(1024 x 768)
Brightness	3000AL
Contrast Ratio	13000:1
Display Color	1.07 Billion Colors
Lens	F=2.56-2.8, f=21-23.1mm
Aspect Ratio	Native 4:3 (5 aspect ratio selectable)
Throw Ratio	1.86-2.04 (53"@2m)
Image Size (Diagonal)	30"-300"
Zoom Ratio	1.1:1
Lamp Type	190W
Lamp(Normal/Economic/SmartEco/ LampSaveMode)	4500/6000/6500/10000 hours
Keystone Adjustment	1D, Vertical +/- 40 degrees
Projection Offset	120% ±5%
Resolution Support	VGA(640 x 480) to UXGA(1600 x 1200)
Horizontal Frequency	15-102KHz
Vertical Scan Rate	23-120Hz
Compatibility	HDTV Compatibility 480i, 480p, 576i, 576p, 720p, 1080i, 1080p Video Compatibility NTSC, PAL, SECAM 3D Compatibility (Please refer to User's Manual for detailed support timing)
Interface	Computer in (D-sub 15pin) x 2(Share with component) Monitor out (D-sub 15pin) x 1 Composite Video in (RCA) x 1 S-Video in (Mini DIN 4pin) x 1 Audio in (Mini Jack) x 1 Audio out (Mini Jack) x 1 Speaker 2W x 1 USB (Type Mini B) x1 (Download & page/down) RS232 (DB-9pin) x 1 IR Receiver x1 (Front)
Dimensions	Dimensions(W x H x D) 283 x 95 x 222 mm (w/ feet) 283 x 88.7 x 222 (w/o feet) Weight 1.8kg (3.96lbs)
Power	Power Supply AC 100 to 240 V, 50 to 60 Hz Power Consumption 270W(Normal), 220W (Eco) Standby<0.5W
Audible Noise	33/28 dBA (Normal/Economic mode)
On-Screen Display Languages	Arabic/Bulgarian/ Croatian/ Czech/ Danish/ Dutch/ English/ Finnish/ French/ German/ Greek/ Hindi/ Hungarian/ Italian/ Indonesian/ Japanese/ Korean/ Norwegian/ Polish/ Portuguese/ Romanian/ Russian/ Simplified Chinese/Spanish/ Swedish/ Turkish/ Thai/ Traditional Chinese (28 Languages)
Picture Modes	Dynamic/Presentation/sRGB/Cinema/User 1/User 2
Accessories	Standard Remote Control w/ Battery Power Cord (by region) Quick Start Guide Warranty Card (by region) VGA(D-sub 15pin) Cable Optional Spare Lamp Kit Ceiling Mount 3D Glasses Carry bag

Wall mount/Ceiling mount Chart

Ceiling Mount screw: M4 (Max L = 25 mm; Min L = 20 mm)



Dimension



*Lamp life results will vary depending on environmental conditions and usage. Actual product's features and specifications are subject to change without notice.