



Model Name **TW526E Digital Projector**

Unique selling point **Trade Mark**

- * SmartEco power saving technology
- * Up to 10,000 hours long lamp life
- * <0.5W standby mode
- * Full HD 3D supported

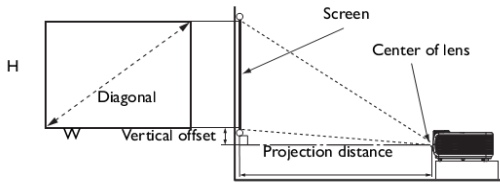


| | | |
|--|--|---|
| Projection System | DLP | |
| Native Resolution | WXGA (1280 x 800) | |
| Brightness | 3200AL | |
| Contrast Ratio | 13000:1 | |
| Display Color | 1.07 Billion Colors | |
| Lens | F=2.59-2.86, f=21-25.6mm | |
| Aspect Ratio | Native 16:10 (5 aspect ratio selectable) | |
| Throw Ratio | 1.5-1.8 (62"@2m) | |
| Image Size (Diagonal) | 39"-300" | |
| Zoom Ratio | 1.2:1 | |
| Lamp Type | 203W | |
| Lamp Mode (Normal/Eco/SmartEco/LampSave)* | 4500/6000/6500/10000 hours | |
| Keystone Adjustment | 1D, Vertical +/- 40 degrees | |
| Projection Offset | 125% ±5% | |
| Resolution Support | VGA(640 x 480) to WUXGA_RB (1920 x 1200) *RB = Reduced Blanking | |
| Horizontal Frequency | 15~102KHz | |
| Vertical Scan Rate | 23~120Hz | |
| Compatibility | HDTV Compatibility | 480i, 480p, 576i, 576p, 720p, 1080i, 1080p |
| | Video Compatibility | NTSC, PAL, SECAM |
| | 3D Compatibility | Frame Sequential: Up to 720p |
| | (Please refer to User's Manual for detailed support timing.) | Frame Packing: Up to 1080p |
| | | Side by Side: Up to 1080i/p |
| | | Top Bottom: Up to 1080p |
| Interface | Computer in (D-sub 15pin) | x 2 (Share with component) |
| | Monitor out (D-sub 15pin) | x 1 |
| | Composite Video in (RCA) | x 1 |
| | S-Video in (Mini DIN 4pin) | x 1 |
| | HDMI | x 1 |
| | Audio in (Mini Jack) | x 2 |
| | Audio out (Mini Jack) | x 1 |
| | Speaker | 2W x 1 |
| | USB (Type B) | x1 |
| | RS232 (DB-9pin) | x 1 |
| | IR Receiver | x1 (Front) |
| Dimensions | Dimensions(W x H x D) | 302.8 x 111.8 x 221.8 mm (with feet) 302.8 x 103.8 x 221.8 mm (without feet) |
| | Weight | 2.3kg (5.06lbs) |
| Power | Power Supply | AC100 to 240 V, 50 to 60 Hz |
| | Power Consumption | Normal 253W, Eco 212W, Standby <0.5W |
| Audible Noise | 33/31 dBA (Normal/Economic mode) | |
| On-Screen Display Languages | Arabic/Bulgarian/ Croatian/ Czech/ Danish/ Dutch/ English/ Finnish/ French/ German/ Greek/ Hindi/ Hungarian/ Italian/ Indonesian/ Japanese/ Korean/ Norwegian/ Polish/ Portuguese/ Romanian/ Russian/ Simplified Chinese/Spanish/ Swedish/ Turkish/ Thai/ Traditional Chinese (28 Languages) | |
| Picture Modes | Bright/Presentation/sRGB/Cinema/(3D)/User 1/User 2 | |
| Accessories | Standard | Optional |
| | Lens Cover | Spare Lamp Kit |
| | Remote Control w/ Battery | Ceiling Mount |
| | Power Cord (by region) | 3D Glasses |
| | User Manual CD | Carry Bag |
| | Quick Start Guide | |
| | Warranty Card (by region) | |
| | VGA (D-sub 15pin) Cable | |

*Lamp life results will vary depending on environmental conditions and usage. Actual product's features and specifications are subject to change without notice.

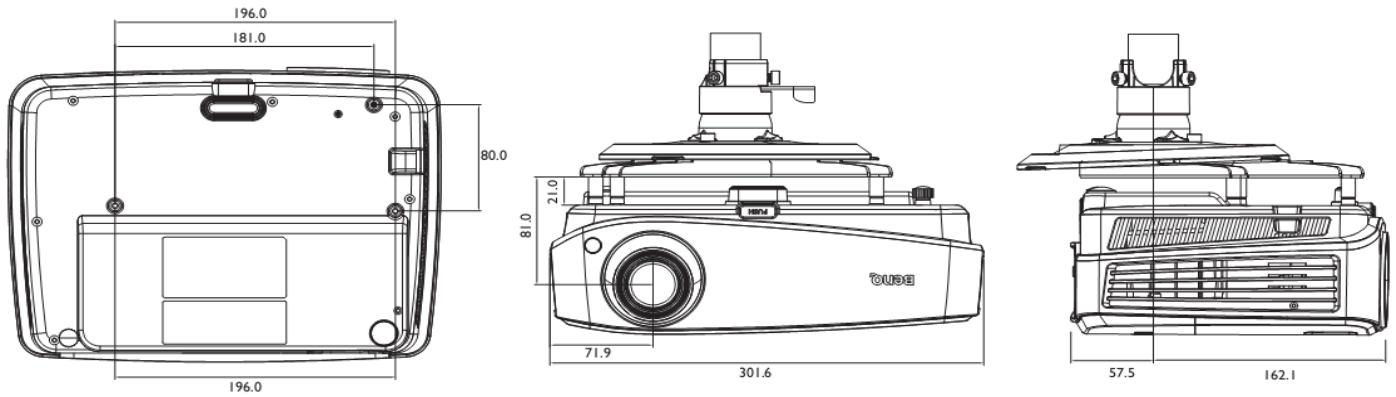
TW526E Digital Projector

Distance Chart



| Screen size | | | | Projection distance (mm) | | | Vertical offset (mm) |
|-------------|------|--------|--------|--------------------------|---------|--------------------------|----------------------|
| Diagonal | | W (mm) | H (mm) | Min distance (max. zoom) | Average | Max distance (min. zoom) | |
| Inch | mm | | | | | | |
| 35 | 889 | 754 | 471 | 1123 | 1236 | 1349 | 59 |
| 40 | 1016 | 862 | 538 | 1284 | 1413 | 1542 | 67 |
| 60 | 1524 | 1292 | 808 | 1926 | 2119 | 2313 | 101 |
| 80 | 2032 | 1723 | 1077 | 2567 | 2826 | 3084 | 135 |
| 100 | 2540 | 2154 | 1346 | 3209 | 3532 | 3856 | 168 |
| 120 | 3048 | 2585 | 1615 | 3851 | 4239 | 4627 | 202 |
| 150 | 3810 | 3231 | 2019 | 4814 | 5299 | 5783 | 252 |
| 200 | 5080 | 4308 | 2692 | 6419 | 7065 | 7711 | 337 |
| 250 | 6350 | 5385 | 3365 | 8023 | 8831 | 9639 | 421 |
| 300 | 7620 | 6462 | 4039 | 9628 | 10597 | 11567 | 505 |

Wall mount/Ceiling mount Chart



Dimension



Unit: mm

