

DIGITAL
PROJECTOR

MX620ST

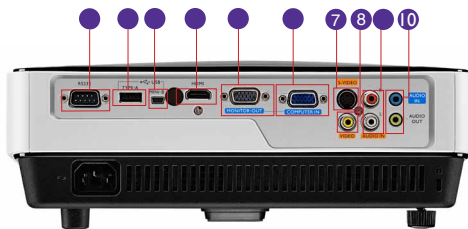


Features

- Native XGA (1280x800) Resolution
- 3,000 ANSI Lumens; 13,000:1 Contrast Ratio
- Wireless Display / USB Reader & Display
- Up to 10,000 Hours Long Lamp Life
- SmartEco™ Power Saving Technology
- 3D PC & Blu-Ray Ready
- 10W Speaker



Input and Output Terminals



- | | |
|-----------------------------|-----------------------------|
| 1 RS232 (DB-9pin) | 6 Computer in (D-sub 15pin) |
| 2 USB (Type A) | 7 S-Video (Mini DIN 4-pin) |
| 3 USB (Type Mini-B) | 8 Composite Video in |
| 4 HDMI | 9 Audio in /L/R (RCA) |
| 5 Monitor Out (D-sub 15pin) | 10 Audio In/Out (Mini Jack) |

Specifications

Projection System	DLP®
Native Resolution	XGA (1024x768)
Brightness	3000AL
Contrast Ratio	13000:1
Display Color	1.07 Billion Colors
Lens	F=2.6-2.78, f=10.2-12.24mm
Aspect Ratio	Native 4:3 (5 aspect ratio selectable)
Throw Ratio	0.9~1.08 (54.5"±3% @ 1m)
Image Size Diagonal	32"~300"
Zoom Ratio	1.2:1
Lamp Type	190W
Lamp(Normal/Economic/SmartEco/LampSave)*	4500/6000/6500/10000 hours
Keystone Adjustment	1D, Vertical +/- 40 degrees
Projection Offset	110%±5%
Resolution Support	VGA(640 x 480) to UXGA(1600 x 1200)
Horizontal Frequency	15~102KHz
Vertical Scan Rate	23~120Hz
Compatibility	HDTV Compatibility: 480i, 480p, 576i, 576p, 720p, 1080i, 1080p Video Compatibility: NTSC, PAL, SECAM
Interface	Computer in (D-sub 15pin) x 1(Share with component) Monitor out (D-sub 15pin) x 1 Composite Video in (RCA) x 1 S-Video in (Mini DIN 4pin) x 1 HDMI x1 Audio in (Mini Jack) x 1 Audio out (Mini Jack) x 1 Audio L/R in (RCA) x 1 Speaker 10W x 1 USB (Type A) x 1 (Download & page/down) USB (Type Mini-B) x 1 RS232 (DB-9pin) x 1 IR Receiver x2 (Front+Rear)
Dimensions (WxHxD)	11.3" x 4.5" x 9.15" (w/ feet)
Weight	5.06lbs (2.6kg)
Power Supply	AC100 to 240 V, 50 to 60 Hz
Power Consumption	270W(typical), 220W (Eco), Standby<0.5W
Audible Noise	33/28 dBA (Normal/Economic mode)
On-Screen Display Languages	Arabic/Bulgarian/ Croatian/ Czech/ Danish/ Dutch/ English/ Finnish/ French/ German/ Greek/ Hindi/ Hungarian/ Italian/ Indonesian/ Japanese/ Korean/ Norwegian/ Polish/ Portuguese/ Romanian/ Russian/ Simplified Chinese/Spanish/ Swedish/ Turkish/ Thai/ Traditional Chinese (28 Languages)
Picture Mode	Dynamic/Presentation/sRGB/Cinema/User 1/User 2
Accessories (Standard)	Lens Cover, Remote Control w/ Battery, Power Cord, User Manual CD, Quick Start Guide, Warranty Card, VGA (D-sub 15 pin) Cable
Accessories (Optional)	Spare Lamp Kit P/N: 5J.J9V05.001 Ceiling Mount P/N: 5J.J4N10.001 3D Glasses P/N: 5J.J7K25.001 Carry Bag P/N: 5J.J4R09.001
UPC Code / Part #	8400460-2858-9 / 9H.J9V77.13A
Limited Warranty	1 Year Parts & Labor / 180 Days or 500 Hours of Lamp Life

*Lamp life results will vary depending on environmental conditions and usage. Actual product's features and specifications are subject to change without notice.



MX620ST | 11-04-13-BQca

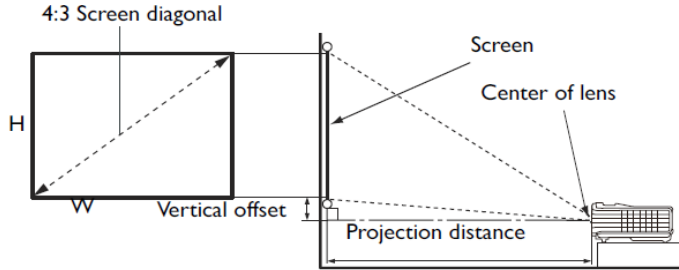


BenQ America Corp.
www.BenQ.us

BenQ is a registered trademark of BenQ Corp. DLP is a registered trademark of Texas Instruments. All rights reserved. Product names, logos, brands, and other trademarks featured or referred to in this materials are the property of their respective trademark holders. Specifications subject to change without notice.

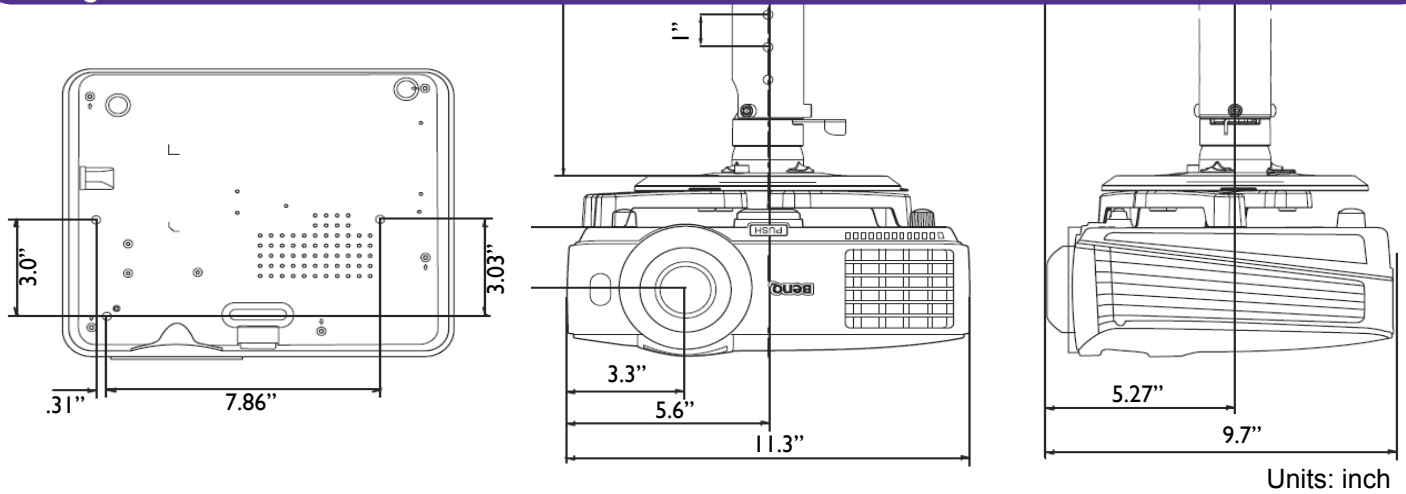
MX620ST Digital Projector

Distance Chart



Screen Size				Distance from screen (mm)			Vertical offset (mm)
Diagonal		W (mm)	H (mm)	Min length	Average	Min length	
Inch	mm			Max zoom		Max zoom	
40	1016	32	24	28.9	31.7	34.6	1.18
50	1270	40	30	36.1	39.7	43.3	1.49
60	1524	48	36	43.3	47.6	52.0	1.81
80	2032	64	48	57.7	63.5	69.3	2.4
100	2540	80	60	72.2	79.4	86.6	2.9
120	3048	96	72	86.6	95.3	104.0	3.5
150	3810	120	90	108.3	119.2	130.0	4.4
200	5080	160	120	144.5	158.9	173.3	5.9
220	5588	176	132	158.9	174.8	190.7	6.6
250	6350	200	150	180.5	198.6	216.7	7.5
300	7620	240	180	216.7	238.3	260.1	9.0

Ceiling Mount Chart



Dimensions

