

DIGITAL
PROJECTOR

MW769

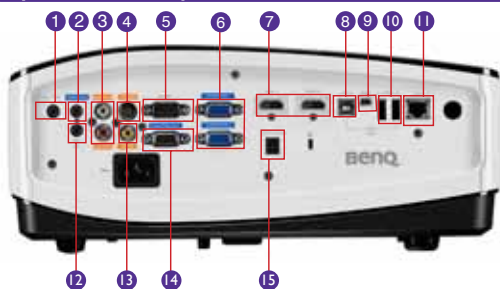


Features

- Native WXGA (1280 x 800) Resolution
- 4,200 ANSI Lumens, 13,000:1 High Contrast Ratio
- SmartEco™ Power Saving Technology
- Full 3D Ready and nVidia 3DTV Play
- Big Zoom Ratio: 1.5x
- Full LAN & Wireless Display



Input and Output Terminals



- | | |
|-----------------------------------|------------------------------|
| 1 Audio out (Mini Jack) | 9 USB (Type Mini B) |
| 2 Audio in (Mini Jack) | 10 USB (Type A) x 2 |
| 3 Audio in (L/R) | 11 LAN |
| 4 S-Video In (Mini DIN 4pin) | 12 Microphone in (Mini jack) |
| 5 RS232 (DB-9pin) | 13 Composite Video in (RCA) |
| 6 Computer in 1 & 2 (D-sub 15pin) | 14 Monitor Out (D-sub 15pin) |
| 7 HDMI x 2 | 15 DC 12V Trigger |
| 8 USB (Type B) | |



Specifications

Projection System	DLP®
Native Resolution	WXGA(1280x800)
Brightness	4200 ANSI Lumen
Contrast Ratio	13000:1
Display Color	1.07 Billion Colors
Lens	F=2.42~2.97, f=20.7~31.05mm
Aspect Ratio	Native 16:10 (5 aspect ratio selectable)
Throw Ratio	1.45~2.17
Image Size (Diagonal)	31" ~ 300"
Zoom Ratio	1.5x
Lamp Type	310W
Lamp (Normal/Economic Mode)*	2500/3000/3500 hours
Keystone Adjustment	2D, V +/- 30 degree, H +/- 25 degree
Projection Offset	Vertical: 125% ±5%
Resolution Support	VGA(640 x 480) to UXGA(1600 x 1200)
Horizontal Frequency	15K-102KHz
Vertical Scan Rate	23-120Hz
Compatibility	HDTV Compatibility: 480i, 480p, 576i, 576p, 720p, 1080i, 1080p Video Compatibility: NTSC, PAL, SECAM, 3D Compatibility: Frame Sequential: Up to 60Hz 720p Frame Packing: Up to 24 Hz 1080p Side by Side: Up to 24Hz 1080p Top Bottom: Up to 60Hz 1080p
Interface	Computer in (D-sub 15pin) x 2 HDMI x 2 Monitor out x 1 Composite Video in (RCA) x 1 S-Video in x 1 Audio in (Mini Jack) x 1 Audio in (L/R) x 1 Microphone in (Mini jack) x 1 Audio out (Mini Jack) x 1 Speaker 20W x 1 LAN (RJ-45) x 1 USB (Type A) x 2 USB (Type B) x 1 USB (Type Mini B) x 1 DC 12V Trigger (3.5mm Jack) x 1 RS232 (DB-9pin) x 1 IR Receiver x 2 (Front + Rear)
Dimensions (WxHxD)	12.9" x 5.4" x 10.1"
Weight	8.6 lbs (3.9 Kg)
Power Supply	AC100 to 240V, 3.8A, 50 to 60 Hz
Power Consumption	400W(Normal), 340W(Eco), Standby<0.5W
Audible Noise	36/34 dBA (Normal/Economic mode)
Languages	Arabic/Bulgarian/ Croatian/ Czech/ Danish/ Dutch/ English/ Finnish/ French/ German/ Greek/ Hindi/ Hungarian/ Italian/ Indonesian/ Japanese/ Korean/ Norwegian/ Polish/ Portuguese/ Romanian/ Russian/ Simplified Chinese/Spanish/ Swedish/ Turkish/ Thai/ Traditional Chinese (28 Languages)
Picture Mode	Dynamic/Presentation/sRGB/Cinema/(3D)/User 1/User 2
Accessories (Standard)	Remote Control w/ Battery, Power Cord, User Manual CD, QSG, Warranty Card, VGA Cable, Lens Cover, Carry Bag
Accessories (Optional)	Spare Lamp Kit P/N: 5J.JAA05.001 Ceiling Mount Kit P/N: 5J.J4N10.001 Remote P/N: 5J.JA606.001 Wireless Dongle WDRT8192 P/N: 5J.J3F28.A01
UPC / Part #	8400460-2895-4 / 9H.JAA77.34A
Limited Warranty	3 Years Parts/Labor or 2,000 hours of lamp life.

*Lamp life results will vary depending on environmental conditions and usage. Actual product's features and specifications are subject to change without notice.

MW769 03-04-14-BQus



BenQ America Corp.
www.BenQ.us

BenQ is a registered trademark of BenQ Corp. DLP is a registered trademark of Texas Instruments. All rights reserved. Product names, logos, brands, and other trademarks featured or referred to in this materials are the property of their respective trademark holders. Specifications subject to change without notice.

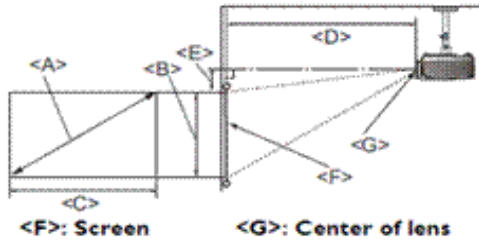


Because it matters

MW769 Digital Projector

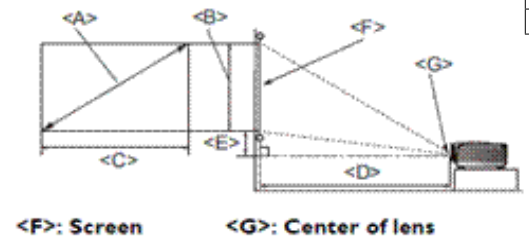
Distance Chart

Ceiling Installation



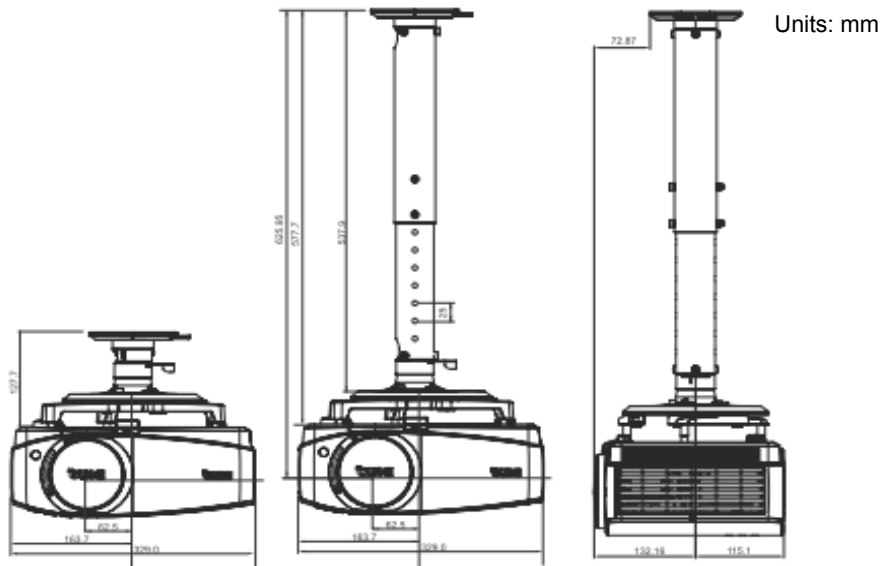
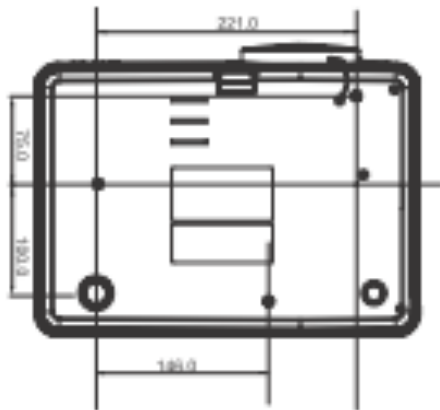
Inch	Image Size		Height (inch)	Distance from Screen (inch)			Offset (inch)
	Diagonal (mm)	Width (inch)		Min Length (max. zoom)	Average	Max Length (min. zoom)	
30	762	25.4	15.9	36.8	46.1	55.2	1.9
40	1016	33.9	21.2	49.1	61.3	73.6	2.6
60	1524	50.8	31.8	73.7	92.1	110.4	3.9
80	2032	67.8	42.4	98.4	122.7	147.2	5.3
100	2540	84.8	52.9	122.9	153.5	184.0	6.6
150	3810	127.2	79.4	184.4	230.2	276.2	9.9
200	5080	169.6	105.9	245.9	306.9	368.0	13.2
250	6350	212.0	132.4	307.4	383.7	460.0	16.5

Floor Installation

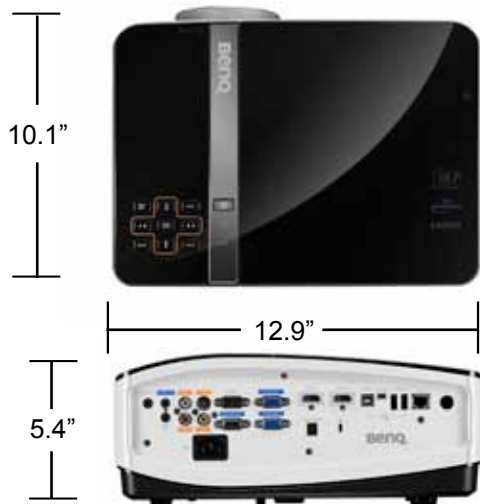


Ceiling Mount Chart

Ceiling Mount Screws: M4
(Max. L = 25 mm; Min L + 20mm)



Dimensions



Units: inch

